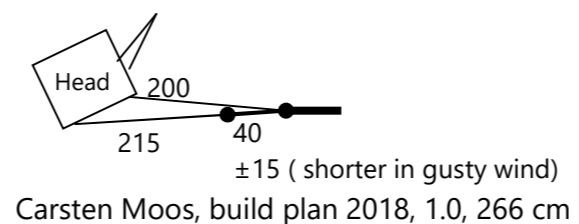
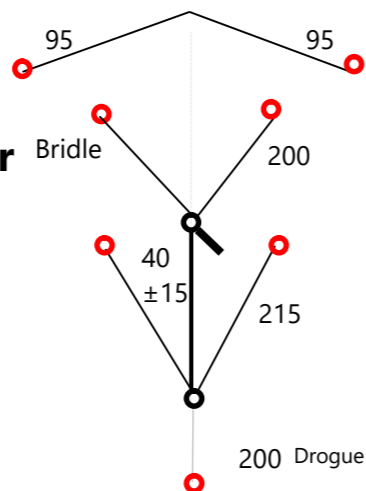


KITE PLAN

Inflatable, Legomännchen Imperial Trooper



Star Wars Legomännchen
(Star Wars Lego minifigure)



Copyrights and disclaimer:

This plan is for private use only.

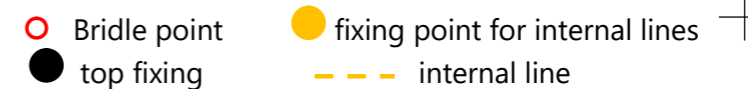
After building this kite, you kindly may send a significant foto as an e-postcard to the author or to [KITE BUILDERS](#) in the space of the first 4 weeks. It will be published on kite-builders.

The information provided by this plan is for general information purposes only and provided in good faith, however the author makes no representation or warranty of any kind. The author. Juli 2018

Description: inflatable kite for a lifter kite

Setup: Fix the drogue, clip karabiner to the lifter line. At about 5-6m long line fix the bridle in the kite line.

Origin: In 2016 I picked up a souvenir of my sun, that he had put on his shelf: A little Lego minifigure Boba Fett. The outcome of this was a drawing of Jango Fett on millimeter paper, because I liked the blue colour more than the green. The template for a new kite was found. In 2017 Jango Fett was flying many test hours and the kids on every kite festival called „da ist Boba Fett“. From **Jango** I developed in 2018 the **Imperial Trooper**, congenial to the new Star wars film. And the Darth Vader.



Seam and applications:

All given dimensions are without seam. 10 mm additional for a single seam is recommended.

pieces:

- ca. 10 m soft white ripstop nylon
- ca. 4 m soft black ripstop nylon
- ca. 1 m soft grey ripstop nylon (or 3.5m for belt at stretch)
- ca. 0,5 m mesh, white
- ca. 5 m reinforcement line 8mm white, soft, or rope
- ca. 10 m internal ropes, 35 kg
- ca. 20m white bridle line 50 kg

- 1 zipper 80 cm
- 2 karabiner, 6cm
- 2 cubic meter cosmic air ☺

data: Imperial Trooper

Height	2.66 m
Width	1.00 m
Surface area	ca. 2.5 m ²
Weight	580g
Weight/area	232 g/m ²
Windrange	2-5 bft
Recommended line	50 kg

1:10 (all dimensions in cm)

Abt.		Creator: Carsten Moos		
Carsten Moos (cmoos(a)gmx.de)	kiteplan	Status draft		
	Title Legomännchen Imperial Trooper	Version 1.1	2018-07-27	en Blatt 1/4

KITE PLAN Imperial Trooper, Carsten Moos

Regular Parts: (without illustration)

- cover, Ø60, outlet Ø19, ca. 20 from center towards the front
- neck 167x5, für Ø53
- chest and back, 70-100 x 86, trapezium, 1x each
- side, 86x53, 2x
- neck purchase, 70x53, hole at center Ø53
- groin 100x53, at 40 a pleat in longitudinal direction
- rear, 100x40
- belt, 306x13
- legs 280x35
- feet, 156x21, 2x or 312x12 // variant: 212x21
- toes, 100x16 //variant: 100x37
- bottom 100x56
- hand outside 78x25
- hand inside 63x25
- wrist 47x10 (2x) (for Ø15)
- hand on arm Ø 25x15 , ring, (2x)

Reinforcements:

- cover: hanging R/L, 50 apart
- face: bridle points at head A, top 50 and down 60 apart, distance between top and down 40
- chest and back: in centered 3 side by side, distance to each other ca. 20
- side 1x ca. 20 above belt, each l/r
- groin: 13 from above 3x side by side, distance to each other ca. 25 and 1x low centerd
- rear: top 3x side by side, distance to each other ca. 25 and low 1x centered suitable to groin ahead
- legs: 1x centered between the knees, each ahead and behind
- feet: 1x centered between toes ahead and behind and one to bottom 16 from ahead
- bottom: center 1x for drogue

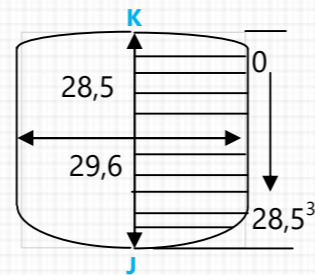
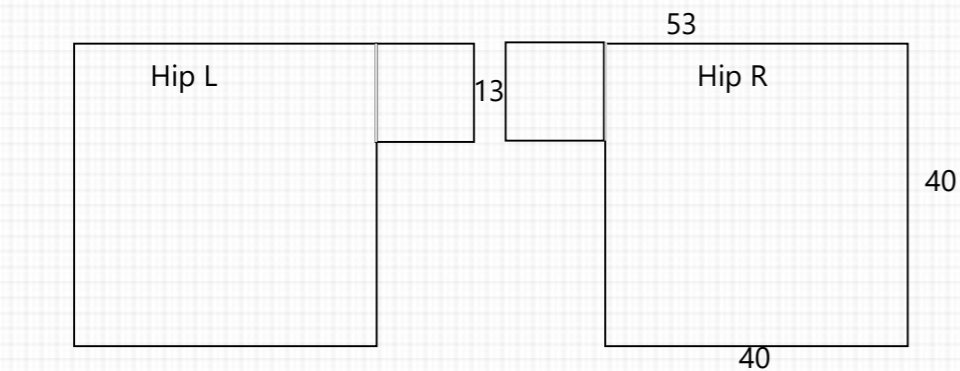


ca. 10x10 rope, that can be easily sewed

Imperial Trooper sew sequence

1. all applications ,except for 7x20 sleeve
 2. head A + B + zipper*, reinforcements for head, ahead
 3. cover, valve and outlet
 4. neck at head
 5. neck at purchase
 6. chest, ropes, back, side (right behind leave open for last seam)
 7. belt at torso
 8. arm at side (2x)
 9. hand and sleeve
 10. groin and hips (2x) rear (right behind leave open for last seam)
 11. legs at hips, internal lines
 12. feet and toes
 13. feet at legs (right behind leave open for last seam)
 14. torso and legs
 15. All reinforcements and internal lines
 16. close right behind last seam
 17. head at torso
 18. bottom at feet, zipper*
 19. drogue and packbag
- * alternative

Carsten Moos, 20.06.2018



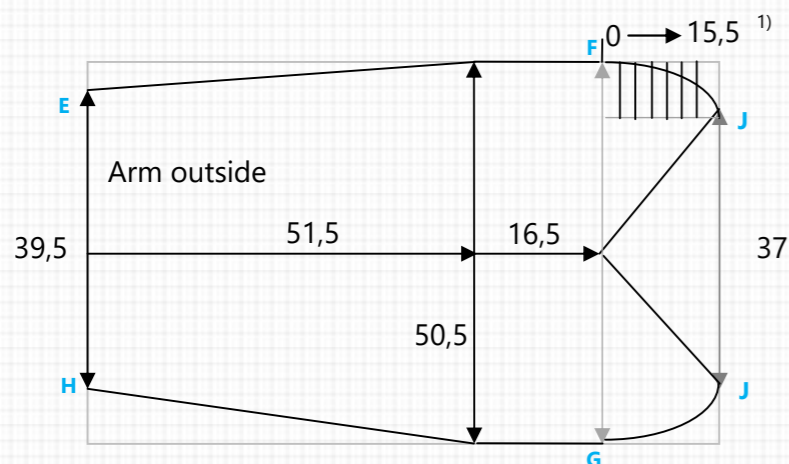
Sleeve cut out ,
(position: 5 from top edge)
and conture of the valve

3) conture

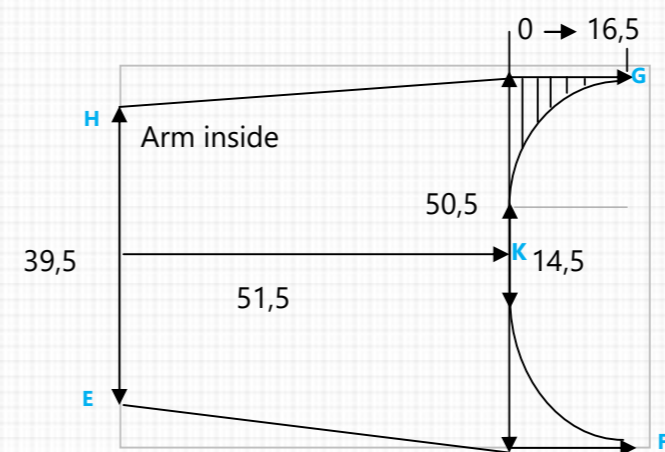
- 0 0
- 1 11
- 5 28
- 8 29,6
- 13 29,6
- 18 29,6
- 20 28
- 22 26
- 24 22
- 26 18
- 28 8
- 28,5 0

2) conture

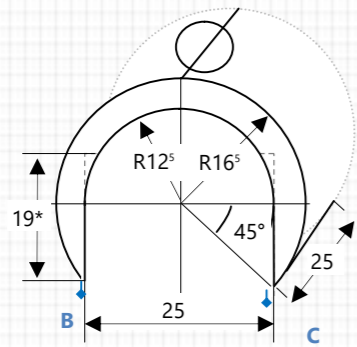
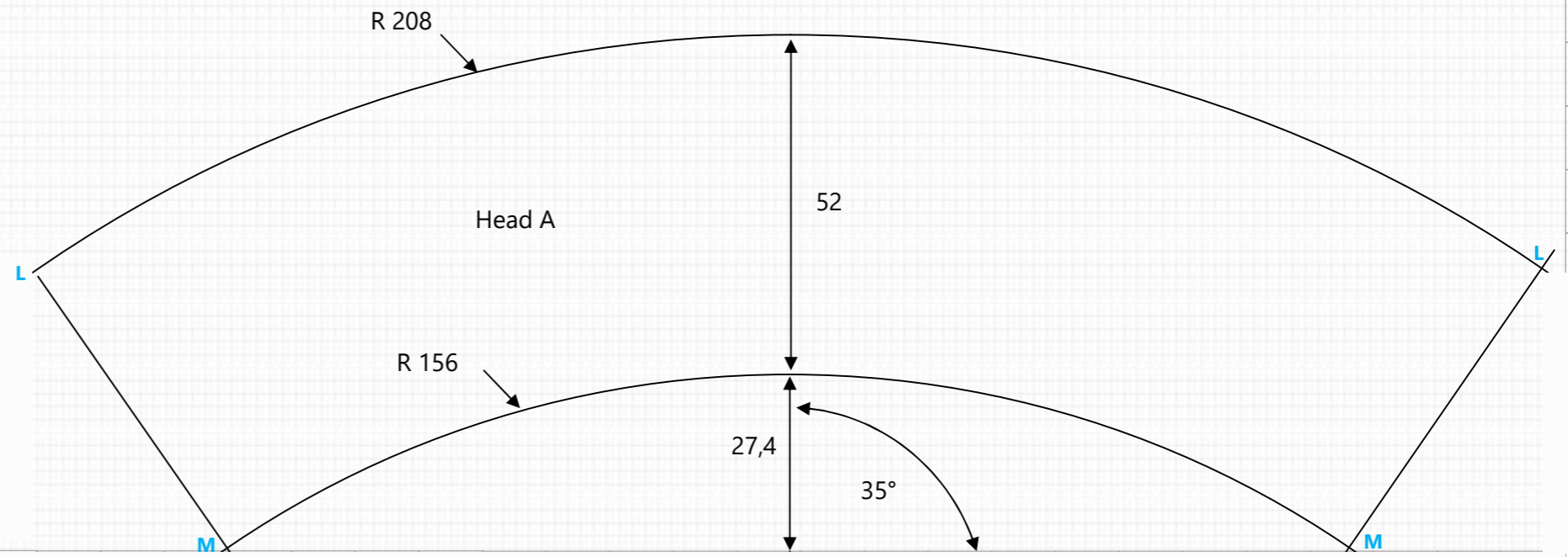
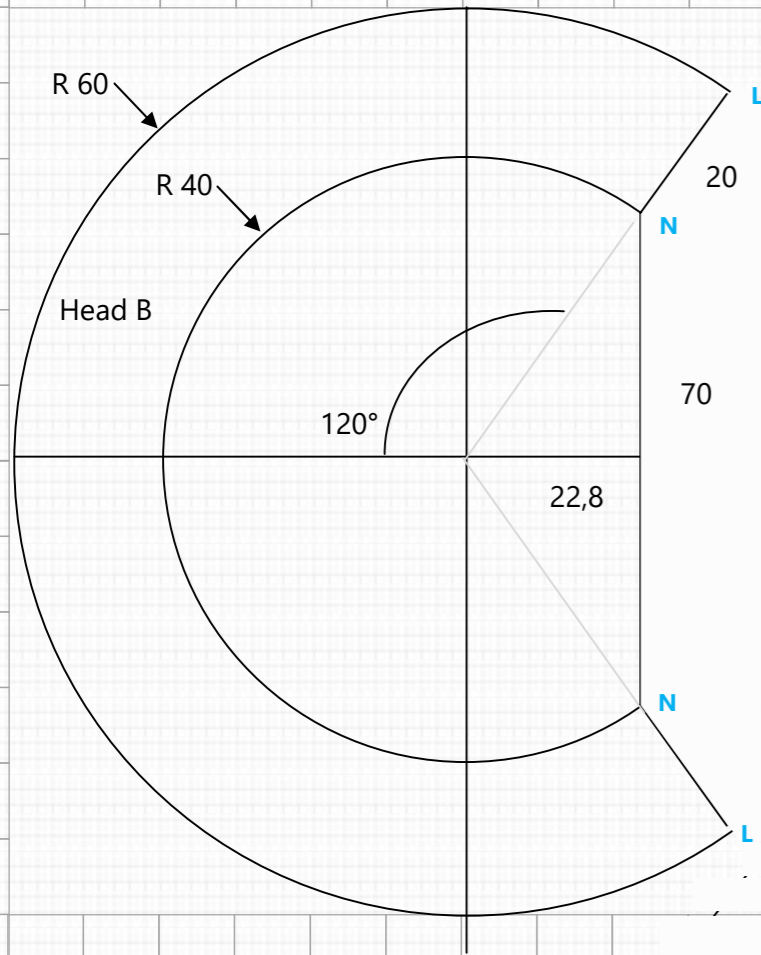
- 0 1 2 4 6 8 10 12 14 16,5
- 18 14 11,2 8 6 4,5 3,1 2 1,5 0



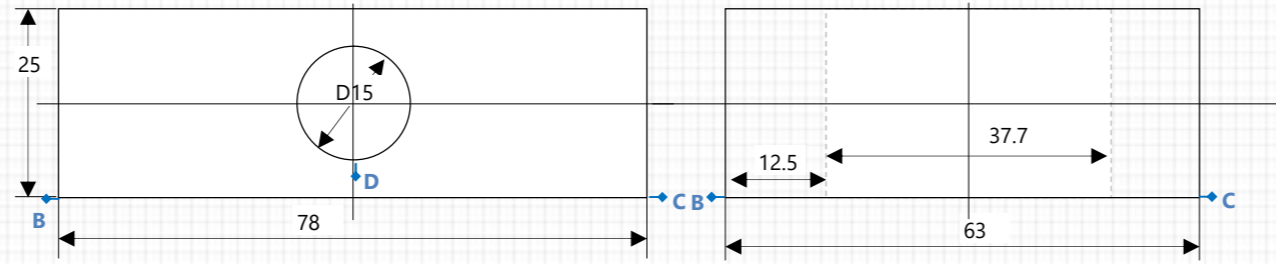
- 1) conture
- 2 4 6 8 10 12 14 15,5
 - 6,5 6 5,4 4,5 3,8 2,9 1,4 0



KITE PLAN Imperial Trooper, Carsten Moos



Hand profile

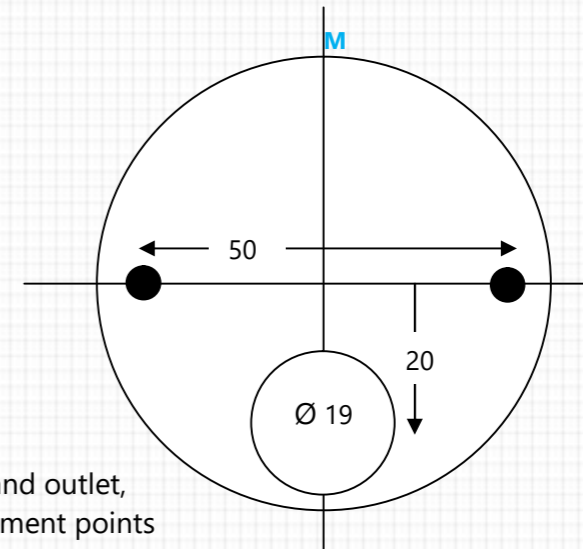


outside

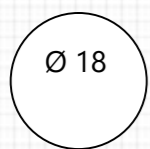
inside

Hand:

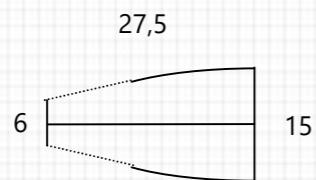
- 1.) Hand inside
- 2.) Wrist close
- 3.) Hand outside at wrist
- 4.) Hand outside
- 5.) Wrist to sleeve
- 6.) Hand inside to outside



Cover and outlet,
attachment points



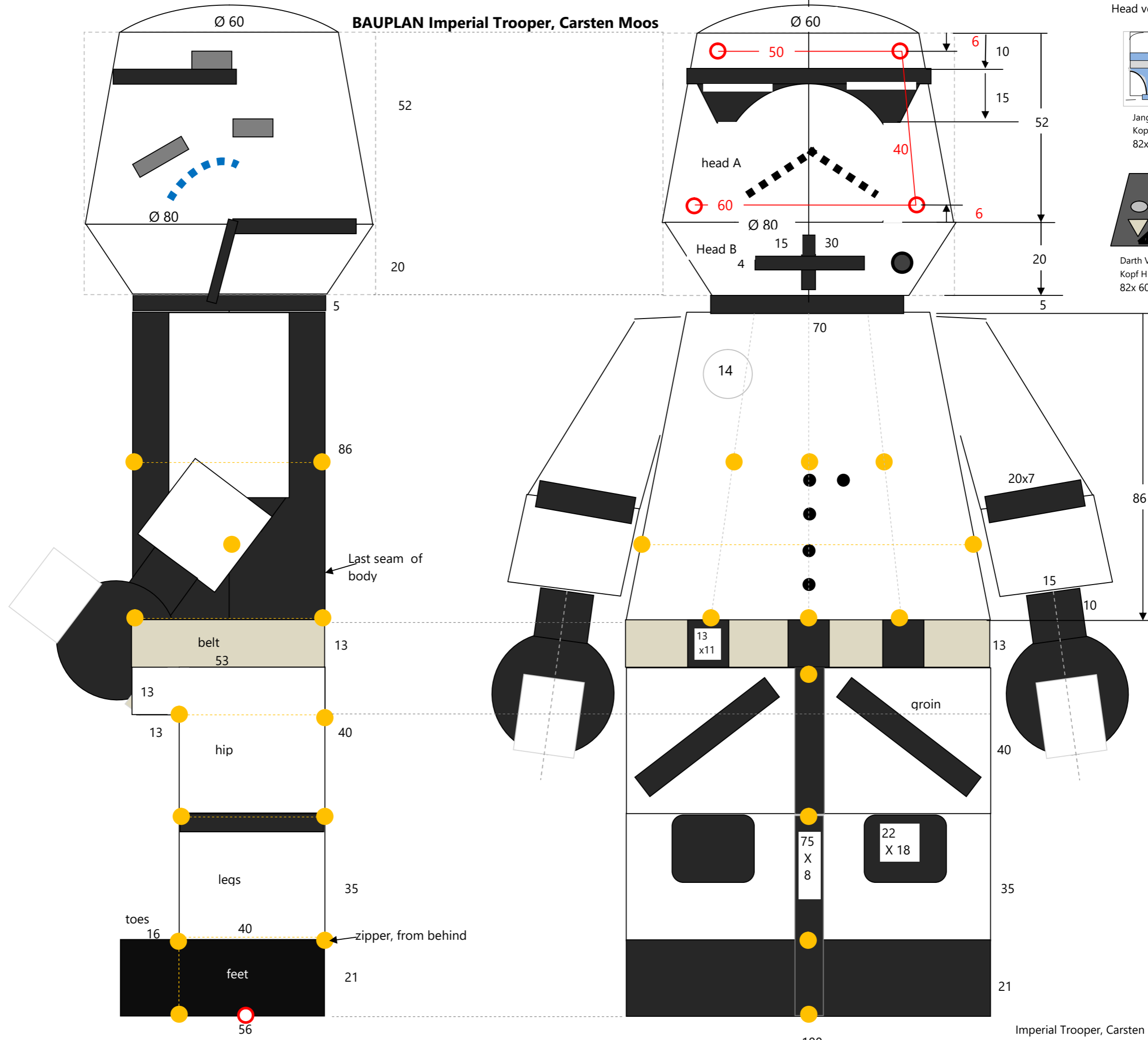
packbag 18x60



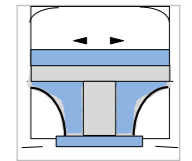
Drogue, 27,5x15x6, 6 pieces

KITE PLAN

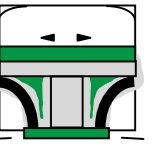
BAUPLAN Imperial Trooper, Carsten Moos



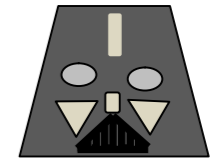
Head versions:



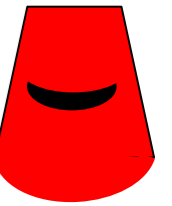
Jango Fett:
Kopf Hx \varnothing
82x86



Boba Fett
Kopf Hx \varnothing
82x86



Darth Vader
Kopf H x \varnothing
82x 60-100



Royal Guard, draft
Kopf H x \varnothing
82x 60-86